





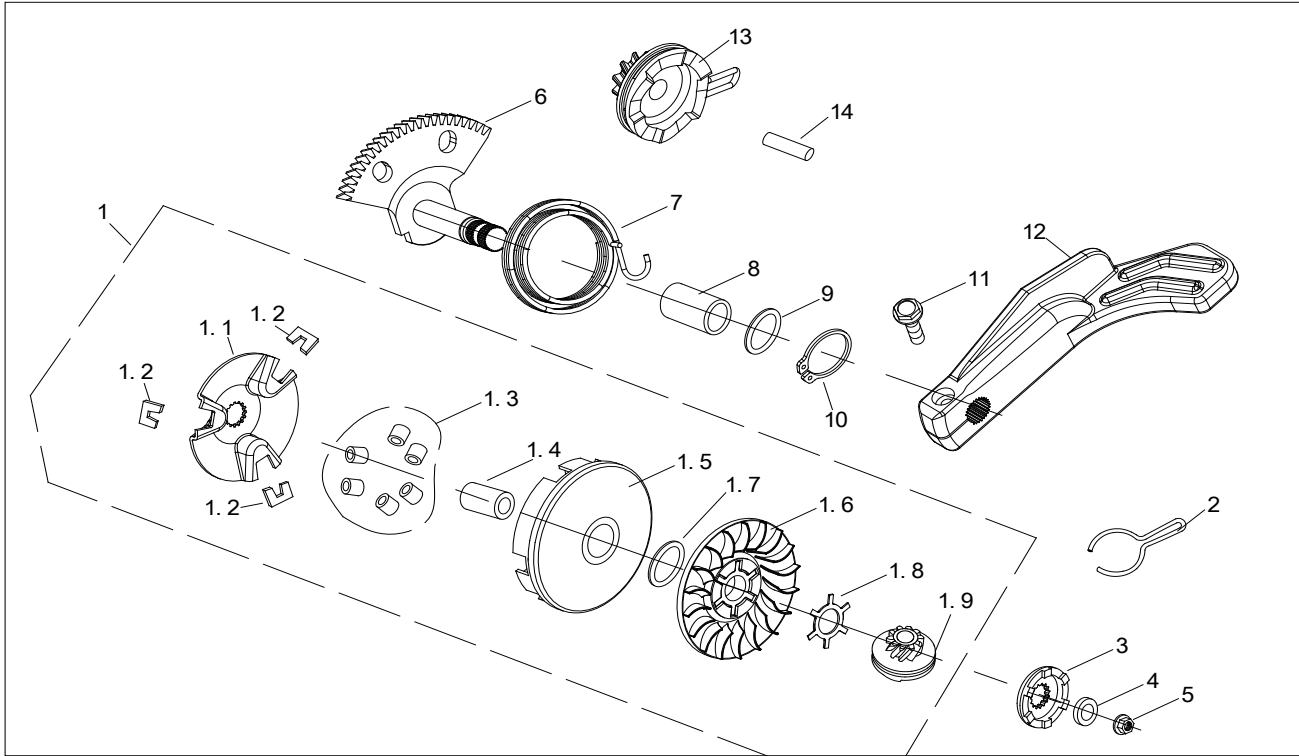








主动轮、脚起动装置



页码	序号	零部件图号	英文名称
Page	NO.	Component and Parts No.	English Name
F7	1	114100-1E40QMA-0100	Active movable drive
F7	1,1	114103-1E40QMA-0100	Plate , Movable Drive , Rubber
F7	1,2	114101-1E40QMA-0100	Plate , Movable Drive
F7	1,3	114120-1E40QMA-0100	Roller
F7	1,4	114110-1E40QMA-0100	Right Part , Drive
F7	1,5	114102-1E40QMA-0100	Sleeve
F7	1,6	114104-1E40QMA-0100	Fam , Driver
F7	1,7	GB/T97.1-φ16X21X1	Washer φ16X21X1
F7	1,8	114107-1E40QMA-0100	Plate , Woodruff key
F7	1,9	114106-1E40QMA-0100	Feet jump-start driven armature
F7	2	110102-1E40QMA-0000	Stop change spring
F7	3	110111-1E40QMA-0000	Starting Disc
F7	4	GB/T5287-Φ12*25*2.5	Washer Φ12×2.5
F7	5	GB/T6177.1-M12x1.25	Bolt 12x1.25
F7	6	110210-1E40QMA-0000	Kick , Shaft Comp.
F7	7	110201-1E40QMA-0000	Spring , torsion
F7	8	110213-1E40QMA-0000	Bush
F7	9	非标-15x28x1	Washer 15x28x1
F7	10	GB/T849.1-φ15	Clip φ15
F7	11	GB/T 70.1-M6x22	Bolt M6x22
F7	12	110310-139QMA-0100	Arm Assy , Kick
F7	13	110110-1E40QMA-0000	Gear Comp.Idle
F7	14	110112-1E40QMA-0000	Starter middle gear

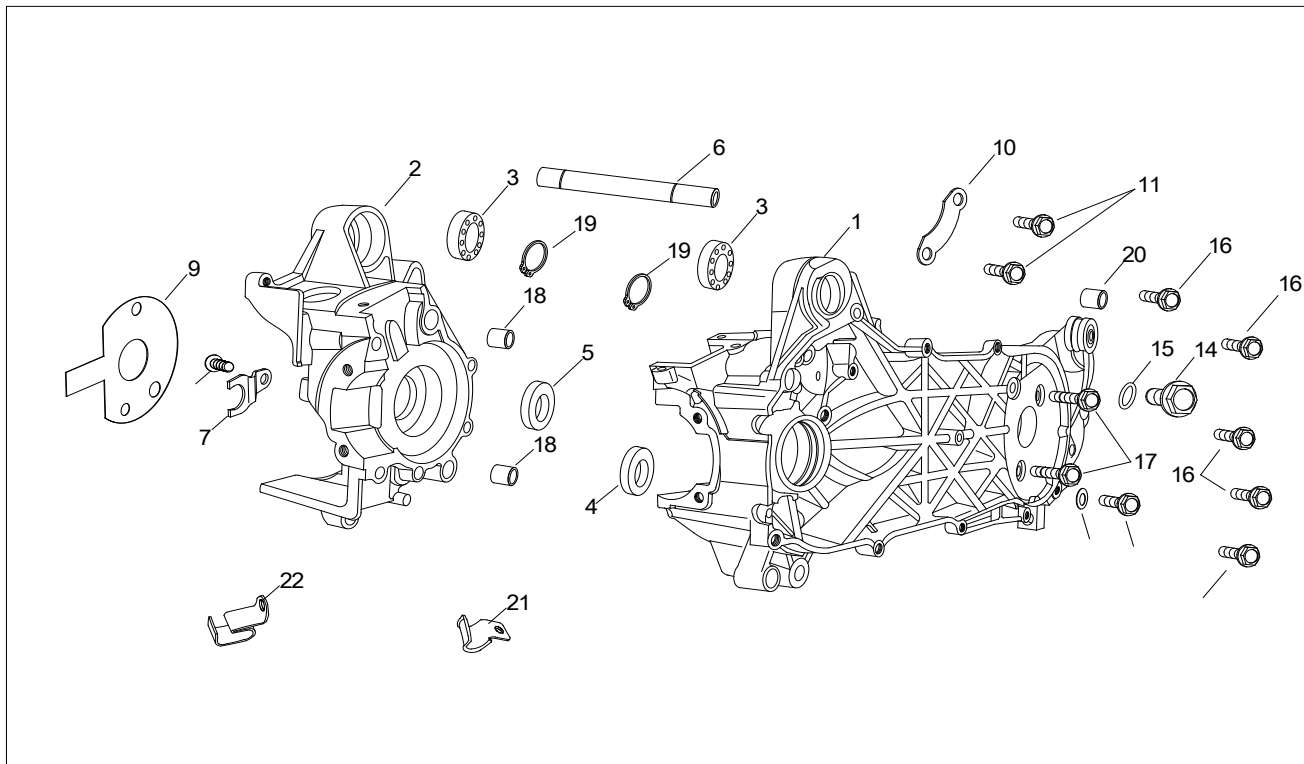






# F10 Crankcase Assy

曲轴箱左右总成



页码	序号	零部件图号	英文名称
Page	NO.	Component and Parts No.	English Name
F10	1	104110-1E40QMA-0000	Crankcase , Left
F10	2	105110-1E40QMA-0000	Crankcase , Right
F10	3	GB/T276-6003-2RS	Bearing 6003
F10	4	GB13871-Φ20×Φ30×6	Oil Seal Φ20×Φ30×6
F10	5	GB13871-Φ20×Φ42×8	Oil Seal Φ20×Φ42×8
F10	6	104107-1E40QMA-0100	Hanging , Shaft
F10	7	105101-1E40QMA-0000	Oil Seal Holder
F10	8	GB/T 5787-M6x10	Bolt M6x10
F10	9	105102-1E40QMA-0000	Gasket
F10	10	104108-1E40QMA-0000	Bearing Holder
F10	11	GB/T 5787-M6x10	Bolt M6x10
F10	12	GB/T 5787-M8x16	Bolt M8x16
F10	13	GB/T97.1-8x16x1.5	Washer 8x16x1.5
F10	14	101104-1E40QMA-0000	Oil Pulg
F10	15	GB/T3452.1-13.8x2.4	O Ring 13.8x2.4
F10	16	GB/T 5787-M8x50	Bolt M8x50
F10	17	GB/T 5787-M8x55	Bolt M8x55
F10	18	104105-1E40QMA-0000	Dowel Pin 12x10x16
F10	19	GB/T849.1-φ17	Circlip Φ17
F10	20	104130-1E40QMA-0000	Grommt
F10	21	103003-139QMA-0000	Back trig distaff nip
F10	22	103009-1E40QMA-0000	Back trig distaff nip bracket













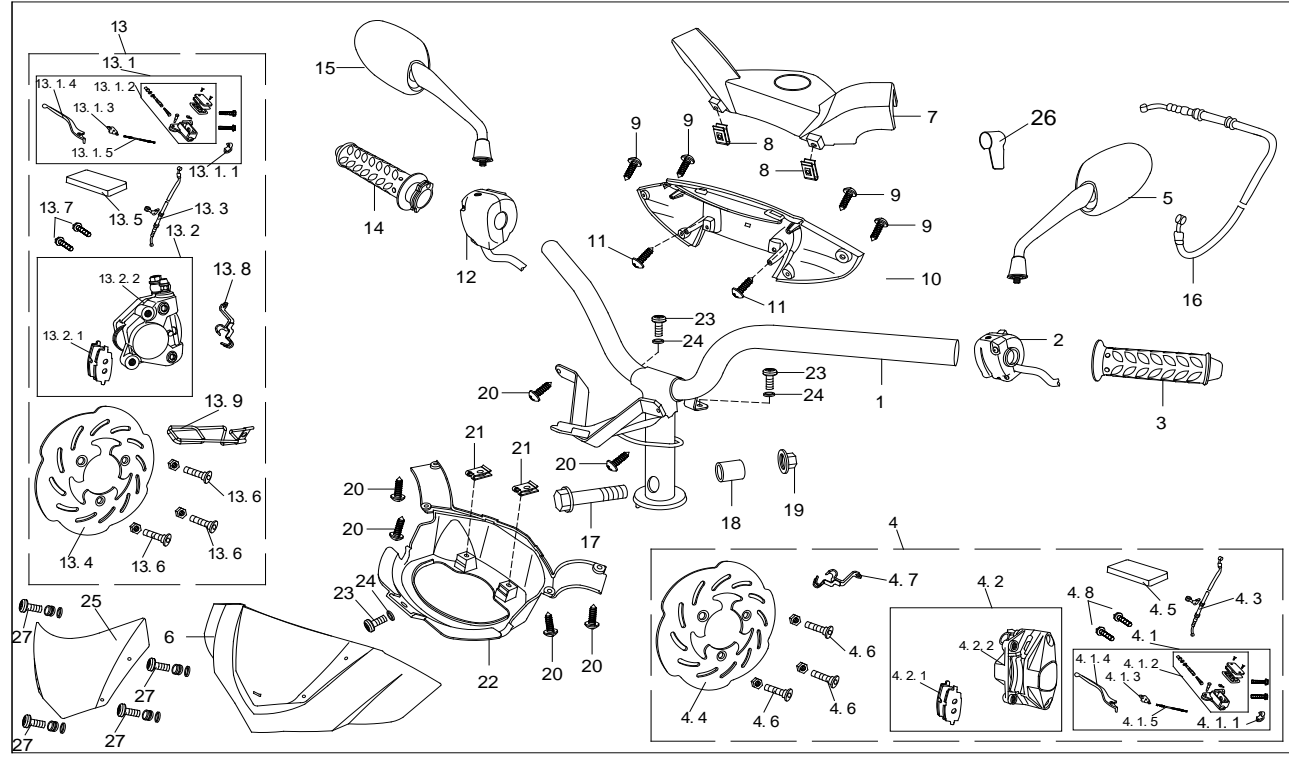






# F19 Operating System

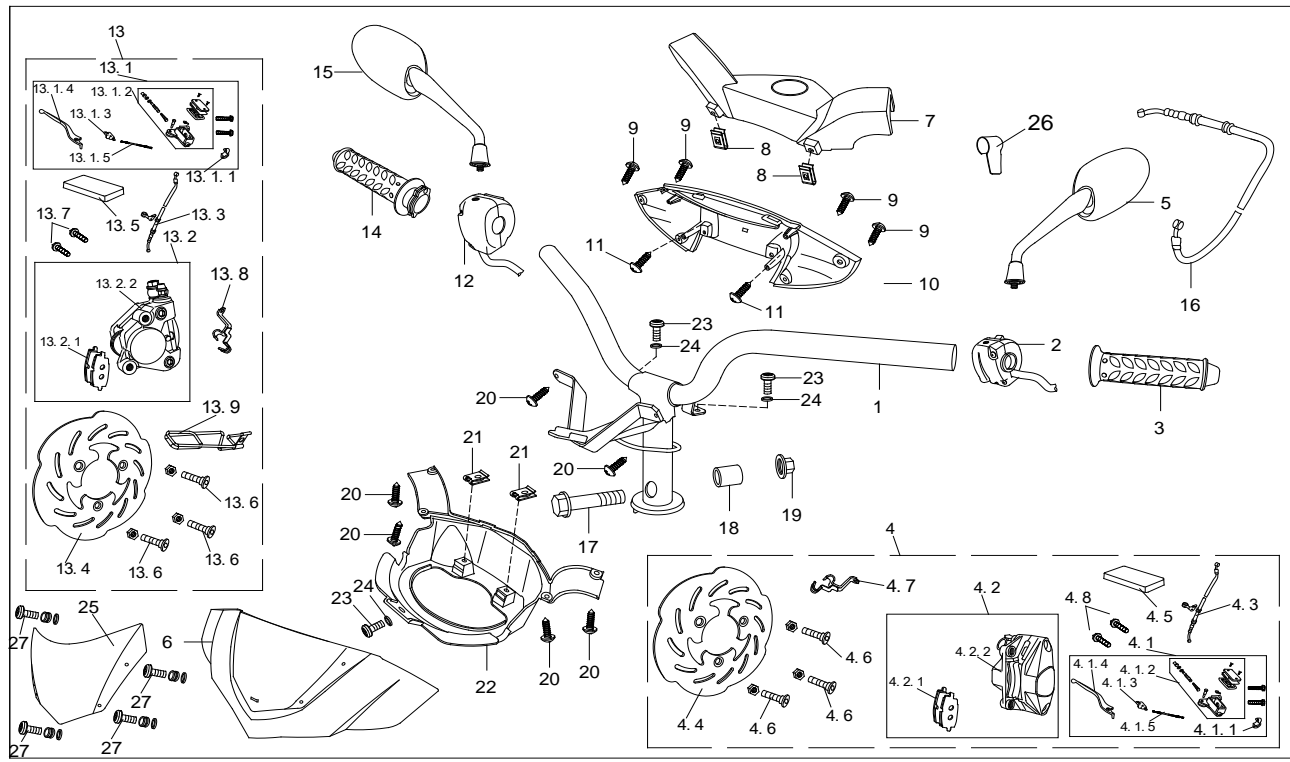
操纵系统



页码	序号	零部件图号	英文名称
Page	NO.	Component and Parts No.	English Name
F19	1	505100-TAU-0000	Direction handlebar welding assy.
F19	2	330100-TACF-0000	Handle switch assy. L.
F19	3	530301-TAC-0000	Left grip rubber assy.
F19	4	406000-TALB-0000	Rr. hydraulic brake assy.
F19	4.1	406100-TALB-0000	Rr. hydraulic Master Cylinder Assy
F19	4.1.1	406101-TALB-0000	Rr. hydraulic Brake Master Cylinder
F19	4.1.2	406110-TALB-0000	Rr. hydraulic Master Cylinder
F19	4.1.3	406120-TALB-0000	Rr. hydraulic brake
F19	4.1.4	530101-TALB-0000	R. Brake Handle
F19	4.1.5	330402-TALB-0000	Fr. hydraulic brake cable
F19	4.2	406400-TALB-0000	Rr. Hydraulic Caliper Assy
F19	4.2.1	406210-TALB-0000	Rr. Brake Shoe Assy
F19	4.2.2	406240-TALB-0000	Rr. Hydraulic Brake disc assy.
F19	4.3	406300-TALB-0000	Rr. Hydraulic Brake Hose Assy
F19	4.4	406001-TALB-0000	Rr. Hydraulic Brake disc
F19	4.5	60421A-TALB-0000	Back small mire cover
F19	4.6	非标-M8x35	Brake disc assy. Bolt
F19	4.7	406010-TALB-0000	front apply the brake ascending string
F19	4.8	GB/T5789-M8x40	Bolt M8x40
F19	5	610100-TALB-0000	Rear-view mirror comp.left
F19	6	601101-TALB-0002	Front part, head cover
F19	7	601129-TAU-0000	Upper cover, direction handlebar
F19	8	QC/T330-ST4.2	Nut ST4.2
F19	9	GB/T845-ST4.8x12	Screw tapping ST4.8x12
F19	10	601102-TALB-0001	Rear part, head cover
F19	11	GB/T845-ST4.8x16	Screw tapping ST4.8x16
F19	12	330200-TAC-0000	Handle switch assy. R.

# F19 Operating System

操纵系统



页码	序号	零部件图号	英文名称
Page	NO.	Component and Parts No.	English Name
F19	13	404000-TALB-0000	Fr. hydraulic brake assy.
F19	13,1	404100-TALB-0000	Master Cylinder Assy
F19	13.1.1	404101-TALB-0000	Brake Master Cylinder
F19	13.1.2	404110-TALB-0000	Master Cylinder
F19	13.1.3	404120-TALB-0000	Fr. hydraulic brake
F19	13.1.4	530201-TALB-0000	R. Brake Handle
F19	13.1.5	330301-TALB-0000	Fr. hydraulic brake cable
F19	13,2	404500-TALB-0000	Caliper Assy
F19	13.2.1	404210-TALB-0000	Brake Shoe Assy
F19	13.2.2	404200-TALB-0000	Brake disc assy.
F19	13,3	404300-TALB-0000	Brake Hose Assy
F19	13,4	404001-TALB-0000	Brake disc
F19	13,5	60411A-TALB-0000	Front small mire cover
F19	13,6	非标-M8*35	Brake disc assy. Bolt
F19	13,7	GB/T5789-M8*40	Bolt M8*40
F19	13,8	404003-TALB-0000	front apply the brake ascending string
F19	13,9	504020-TALB-0000	Odometer cable ascending string
F19	14	530400-TAC-0000	Greaser assy.
F19	15	610200-TALB-0000	Rear-view mirror comp,right
F19	16	540400-TALB-0000	Throttle cable assy.
F19	17	GB/T5789-M10x1.25x55	Bolt M10x1.25x55
F19	18	505001-TAU-0000	Bush,direction handlebar
F19	19	GB/T6187-M10x1.25	Nut M10x1.25
F19	20	GB/T845-ST4.2x12	Screw tapping ST4.2x12
F19	21	GB/T303-M5	Nut M5
F19	22	601131-TAU-0000	Neather cover,direction handlebar
F19	23	GB/T818-M5x12	Bolt M5x12

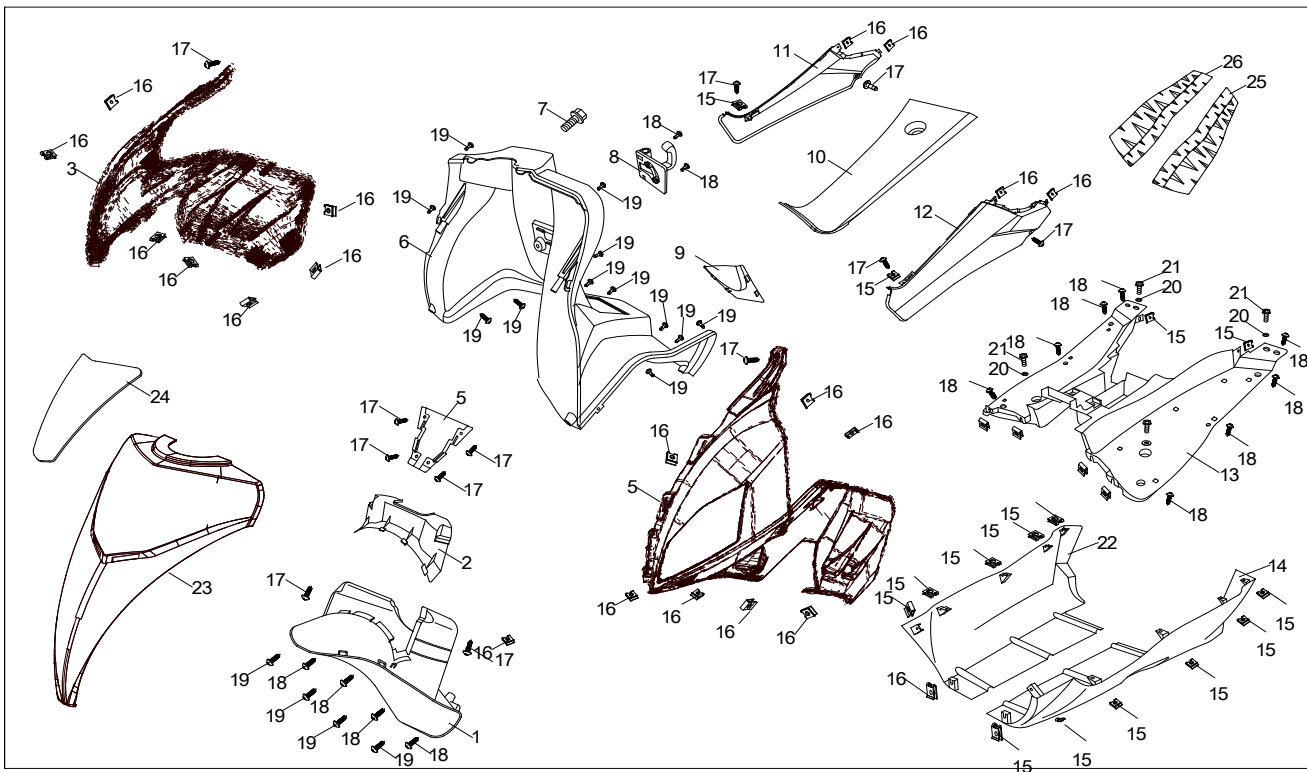






# F22 Front cover/Pedal

前罩  
脚踏板



页码	序号	零部件图号	英文名称
Page	NO.	Component and Parts No.	English Name
F22	1	601407-TAU-0000	Frame Fr. fender
F22	2	601439-TAU-0000	Middle cover frame Fr. Fender
F22	3	601602-TALE-0002	Front center cover right
F22	4	601601-TALE-0002	Front center cover left
F22	5	601608-TALE-0001	connecting board of the Front cover ,Ri.&Le.
F22	6	601609-TAU-0000	Fr. Luggage box
F22	7	GB/T5789-M6x12	Bolt M6x12
F22	8	601504-TACF-0000	Helmet hook
F22	9	601303-TAU-0000	Fr. luggage box
F22	10	601403-TAU-0000	Battery box cap
F22	11	601604-TAU-0000	Inner lid, Ri. luggage box
F22	12	601603-TAU-0000	Inner lid, Ri. luggage box
F22	13	601401-TAU-0000	Pedal
F22	14	601405-TAU-0102	Left part bottom cover
F22	15	QC/T303-ST4.2	Clip(4.2)
F22	16	QC/T303-ST4.8	Clip(4.8)
F22	17	GB/T845-ST4.2x12	Screw tapping ST4.2x12
F22	18	GB/T845-ST4.2x16	Screw tapping ST4.2x16
F22	19	GB/T845-ST4.8x16	Screw tapping ST4.8x16
F22	20	GB/T96-φ6	Washer 6
F22	21	GB/T5789-M6x16	Bolt M6x16
F22	22	601429-TAU-0102	Right part bottom cover
F22	23	601103-TALE-0001	Upper part, Fr. cover
F22	24	601105-TALE-0002	Fr. Cover aeration cover
F22	25	601411-TAU-0000	Left pedal eraser
F22	26	601412-TAU-0000	Right pedal eraser





















